

Type 3R Enclosures

Rainproof Screw Cover Enclosure



APPLICATIONS - Junction boxes, pull boxes, terminal boxes, wiring boxes, etc.

CONSTRUCTION - Fabricated from 12, 14, or 16 gauge carbon steel. Enclosures

feature:

- Knockouts are furnished in the bottom of 14 and 16 gauge enclosures.
- Knockouts are not furnished on special order enclosures.
- These enclosures do not have sub panel mounting provisions.

FINISH - Standard RAL 7035 texture polyester powder coat finish on interior and exterior of enclosures. Recoatable, smooth, white or ANSI-61 gray available at no charge. Standard RAL and custom match finishes available for an additional charge,

please contact Schaefer's Electrical Enclosures, Inc. for further assistance. All powder coat finishes applied over cleaned phosphatized surfaces.

OPTIONS - Schaefer's Electrical Enclosures, Inc. can modify standard enclosures or custom design enclosures according to your specifications. Materials and many more options are available. Quotations upon request.

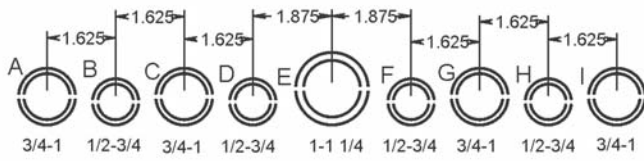
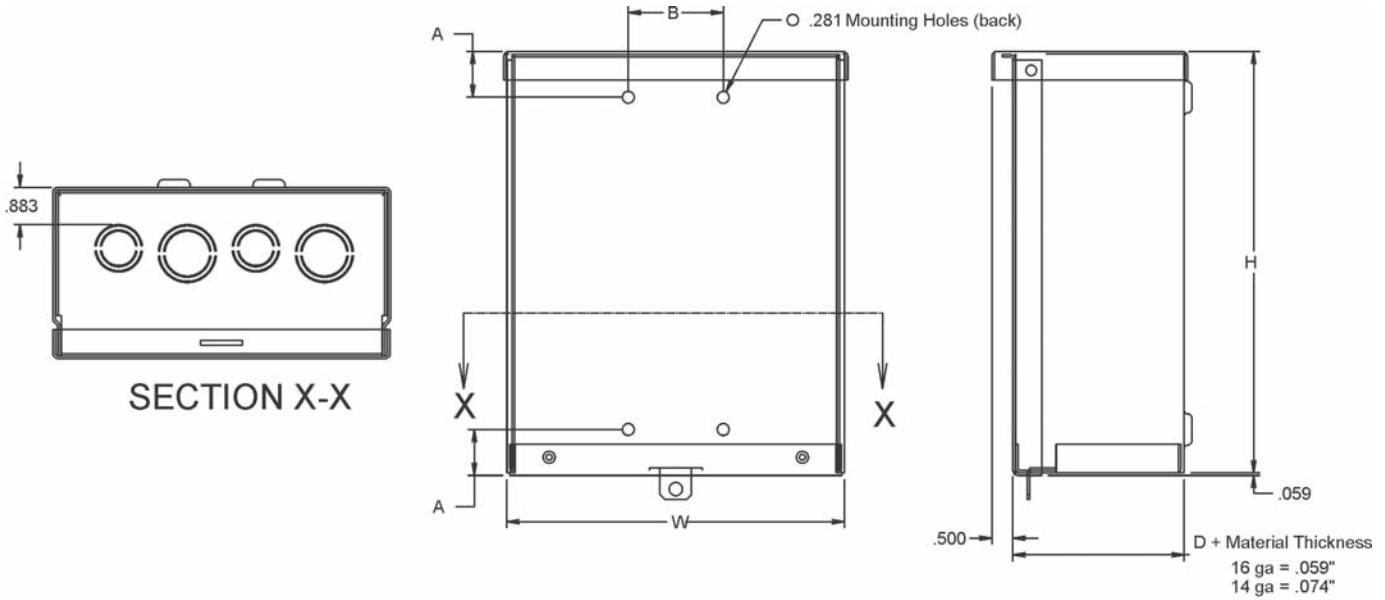
INDUSTRY STANDARDS

- UL 50 Listed
- Type 3R

Catalog Number	Enclosure Size		Shpg. Wt.	Mounting Hole Location		Knockout Pattern
	H x W x D (inches)	Gauge		A	B	
SPRSC-444	4 x 4 x 4	16	3	2.00	1.88	B-C
SPRSC-644	6 x 4 x 4	16	3	1.06	1.88	B-C
SPRSC-664	6 x 6 x 4	16	4	1.06	2.25	B-C-D
SPRSC-864	8 x 6 x 4	16	5	1.06	2.25	B-C-D
SPRSC-884	8 x 8 x 4	16	6	1.06	2.25	F-G-H-I
SPRSC-1084	10 x 8 x 4	16	6	1.06	2.25	F-G-H-I
SPRSC-10104	10 x 10 x 4	16	8	1.06	2.25	C-D-E-F-G
SPRSC-1264	12 x 6 x 4	16	6	1.06	2.25	B-C-D
SPRSC-1284	12 x 8 x 4	16	7	1.06	2.25	F-G-H-I
SPRSC-12104	12 x 10 x 4	16	9	1.06	2.25	C-D-E-F-G
SPRSC-12124	12 x 12 x 4	16	10	1.06	2.25	C-D-E-F-G
SPRSC-15124	15 x 12 x 4	16	12	1.06	2.25	C-D-E-F-G
SPRSC-18124	18 x 12 x 4	16	13	1.06	2.25	C-D-E-F-G
SPRSC-24154	24 x 15 x 4	16	20	1.12	2.25	A-B-C-D-E-F-G-H-I
SPRSC-24184	24 x 18 x 4	16	25	1.12	13.00	A-B-C-D-E-F-G-H-I
SPRSC-666	6 x 6 x 6	16	5	1.06	2.25	B-C-D
SPRSC-866	8 x 6 x 6	16	6	1.06	2.25	B-C-D
SPRSC-886	8 x 8 x 6	16	7	1.06	2.25	F-G-H-I
SPRSC-1086	10 x 8 x 6	16	8	1.06	2.25	F-G-H-I
SPRSC-10106	10 x 10 x 6	16	9	1.06	2.25	C-D-E-F-G
SPRSC-1266	12 x 6 x 6	16	7	1.06	2.25	B-C-D
SPRSC-1286	12 x 8 x 6	16	9	1.06	2.25	F-G-H-I
SPRSC-12106	12 x 10 x 6	16	10	1.06	2.25	C-D-E-F-G
SPRSC-12126	12 x 12 x 6	16	11	1.06	2.25	C-D-E-F-G
SPRSC-12186	12 x 18 x 6	16	19	1.12	13.00	A-B-C-D-E-F-G-H-I
SPRSC-15126	15 x 12 x 6	16	14	1.06	2.25	C-D-E-F-G
SPRSC-18126	18 x 12 x 6	16	15	1.06	2.25	C-D-E-F-G
SPRSC-18156	18 x 15 x 6	16	18	1.12	2.25	A-B-C-D-E-F-G-H-I
SPRSC-18186	18 x 18 x 6	16	21	1.12	13.00	A-B-C-D-E-F-G-H-I
SPRSC-24126	24 x 12 x 6	16	27	1.12	2.25	C-D-E-F-G
SPRSC-24156	24 x 15 x 6	16	22	1.12	2.25	A-B-C-D-E-F-G-H-I
SPRSC-24186	24 x 18 x 6	14	31	1.12	13.00	A-B-C-D-E-F-G-H-I
SPRSC-12128	12 x 12 x 8	16	13	1.06	2.25	C-D-E-F-G
SPRSC-18128	18 x 12 x 8	16	19	1.12	2.25	C-D-E-F-G
SPRSC-18158	18 x 15 x 8	16	25	1.12	2.25	A-B-C-D-E-F-G-H-I
SPRSC-18188	18 x 18 x 8	16	25	1.12	13.00	A-B-C-D-E-F-G-H-I
SPRSC-24188	24 x 18 x 8	14	38	1.12	13.00	A-B-C-D-E-F-G-H-I
SPRSC-24248*	24 x 24 x 8	14	49	1.12	13.00	A-B-C-D-E-F-G-H-I
SPRSC-30248*	30 x 24 x 8	14	58	1.12	13.00	A-B-C-D-E-F-G-H-I
SPRSC-121210	12 x 12 x 10	16	16	1.12	2.25	C-D-E-F-G
SPRSC-161610	16 x 16 x 10	16	30	1.12	13.00	A-B-C-D-E-F-G-H-I
SPRSC-181812	18 x 18 x 12	16	38	1.12	13.00	A-B-C-D-E-F-G-H-I
SPRSC-241812	24 x 18 x 12	14	46	1.12	13.00	A-B-C-D-E-F-G-H-I
SPRSC-242412*	24 x 24 x 12	14	68	1.12	13.00	A-B-C-D-E-F-G-H-I
SPRSC-362412*	36 x 24 x 12	12	128	1.50	13.00	-
SPRSC-363012*	36 x 30 x 12	12	152	1.50	27.00	-
SPRSC-423612*	42 x 36 x 12	12	200	1.50	33.00	-
SPRSC-483612*	48 x 36 x 12	12	220	1.50	33.00	-
SPRSC-242416*	24 x 24 x 16	14	67	1.50	13.00	-
SPRSC-303016*	30 x 30 x 16	12	150	1.50	27.00	-
SPRSC-363616*	36 x 36 x 16	12	201	1.50	33.00	-

*Handles are included.

SPRSC - 14 - 16 Gauge



Knockout Pattern (from outside of box)

- NOTES:**
1. Schaefer's Electrical Enclosures, Inc. standardly provides concentric knockouts.

SPRSC - 12 Gauge

