

APPLICATIONS - Designed for both indoor and outdoor use to protect against rain, sleet, snow and dripping water.

CONSTRUCTION - Fabricated from 14 gauge carbon steel, type 304 stainless steel or type 316 stainless steel. Enclosure features:

- Drip shield lid and seam-free sides, front and back
- Door secured with heavy-duty continuous hinge with removable hinge pin and hasp and staple for padlocking
- External mounting plates on top and bottom of enclosure for wall or machinery mounting
- Collar studs are provided for optional sub-panel mounting
- Door and body stiffeners for extra rigidity where needed
- Quarterturn latches with one padlocking wing latch on right for mild steel enclosures. Padlockable compression spring latches on right for all stainless steel enclosures.

FINISH - Standard RAL 7035 texture polyester powder coat finish on interior and exterior of enclosures. Recoatable, smooth, white or ANSI-61 gray available at no charge. Standard RAL and custom match finishes available for an additional charge, please contact Schaefer's Electrical Enclosures, Inc. for further assistance. All powder coat finishes applied over cleaned phosphatized surfaces. Carbon steel sub-panels have a white polyester powder coat finish. Stainless Steel enclosures have a polished #4 finish.

OPTIONS - Schaefer's Electrical Enclosures, Inc. can custom design enclosures according to your specifications. Special finishes, holes, cutouts, louvers, sizes, materials, and many more options are available. Quotations upon request.

INDUSTRY STANDARDS

- UL 50 Listed
- Type 3R

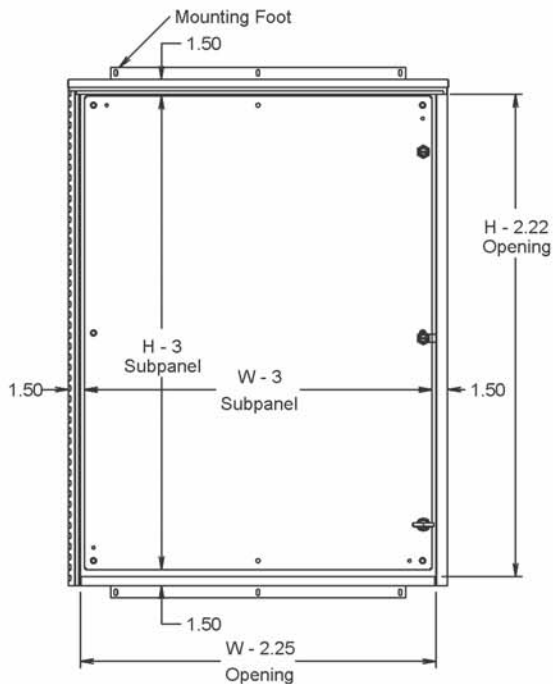
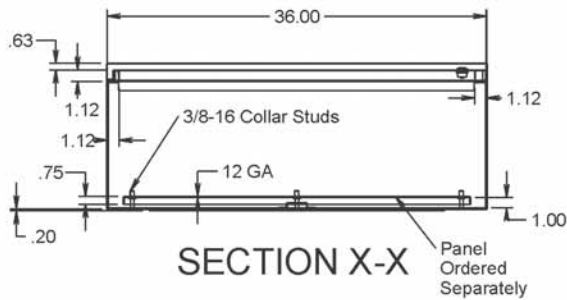
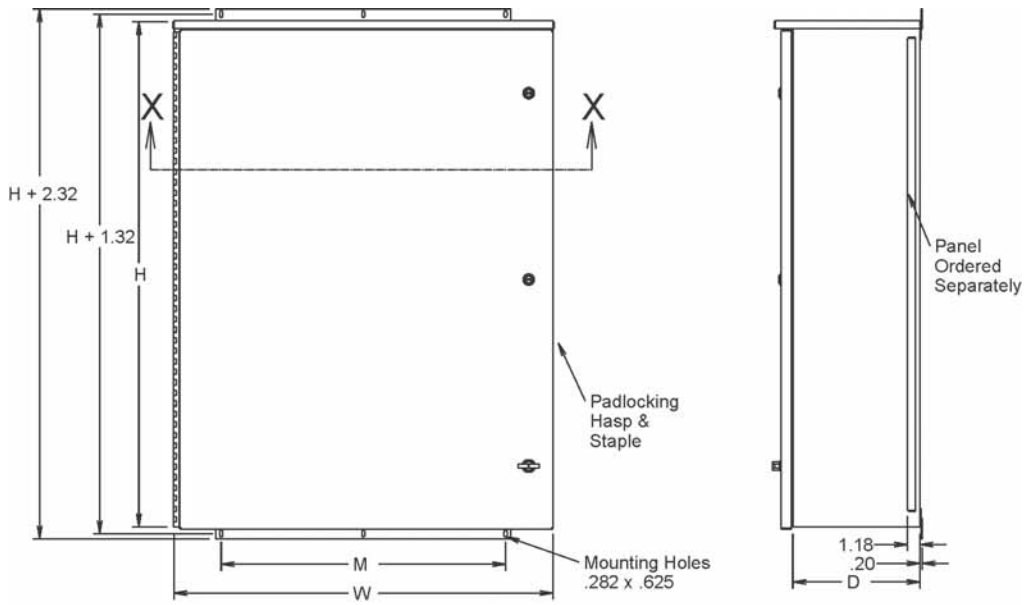
Carbon Steel #	Catalog Number		Enclosure Size (H x W x D) (inches)	Shpg. Wt.	Sub Panel Part Number	Sub Panel Size (inches)	Mounting (inches) M	Body Stiffeners	
	304 Stainless Steel #	316 Stainless Steel #						Back	Door
SPLRHC-16126	SPLRHCSS-16126	SPLRHCSS6-16126	16 x 12 x 6	22.00	SPP-1612	13 x 9	4	-	-
SPLRHC-16166	SPLRHCSS-16166	SPLRHCSS6-16166	16 x 16 x 6	28.00	SPP-1616	13 x 13	13	-	-
SPLRHC-20166	SPLRHCSS-20166	SPLRHCSS6-20166	20 x 16 x 6	33.00	SPP-2016	17 x 13	13	-	-
SPLRHC-20208	SPLRHCSS-20208	SPLRHCSS6-20208	20 x 20 x 8	43.00	SPP-2020	17 x 17	13	-	-
SPLRHC-24208	SPLRHCSS-24208	SPLRHCSS6-24208	24 x 20 x 8	49.00	SPP-2420	21 x 17	13	-	-
SPLRHC-24248	SPLRHCSS-24248	SPLRHCSS6-24248	24 x 24 x 8	57.00	SPP-2424	21 x 21	13	-	-
SPLRHC-30248	SPLRHCSS-30248	SPLRHCSS6-30248	30 x 24 x 8	65.00	SPP-3024	27 x 21	13	-	-
SPLRHC-303012	SPLRHCSS-303012	SPLRHCSS6-303012	30 x 30 x 12	94.00	SPP-3030	27 x 27	27	-	-
SPLRHC-362412	SPLRHCSS-362412	SPLRHCSS6-362412	36 x 24 x 12	85.00	SPP-3624	33 x 21	13	-	-
SPLRHC-363012	SPLRHCSS-363012	SPLRHCSS6-363012	36 x 30 x 12	105.00	SPP-3630	33 x 27	27	1	-
SPLRHC-363612	SPLRHCSS-363612	SPLRHCSS6-363612	36 x 36 x 12	122.00	SPP-3636	33 x 33	27	1	1
SPLRHC-423012	SPLRHCSS-423012	SPLRHCSS6-423012	42 x 30 x 12	121.00	SPP-4230	39 x 27	27	1	-
SPLRHC-423612	SPLRHCSS-423612	SPLRHCSS6-423612	42 x 36 x 12	136.00	SPP-4236	39 x 33	27	1	1
SPLRHC-483612	SPLRHCSS-483612	SPLRHCSS6-483612	48 x 36 x 12	153.00	SPP-4836	45 x 33	27	1	1
SPLRHC-603612	SPLRHCSS-603612	SPLRHCSS6-603612	60 x 36 x 12	170.00	SPP-6036	57 x 33	27	1	1
SPLRHC-303016	SPLRHCSS-303016	SPLRHCSS6-303016	30 x 30 x 16	98.00	SPP-3030	27 x 27	27	-	-
SPLRHC-483616	SPLRHCSS-483616	SPLRHCSS6-483616	48 x 36 x 16	160.00	SPP-4836	45 x 33	27	1	1
SPLRHC-603616	SPLRHCSS-603616	SPLRHCSS6-603616	60 x 36 x 16	175.00	SPP-6036	57 x 33	27	1	1

Note: Sub panels must be ordered separately. Reference page 122 for sub panel layout

Type 3R Enclosures

Rainproof Large Hinge Cover

SPLRHC • SPLRHCS • SPLRHCS6



NOTES:

1. Panels will have formed flanges when either Height or Width is greater than 18".